

# Data Sheet

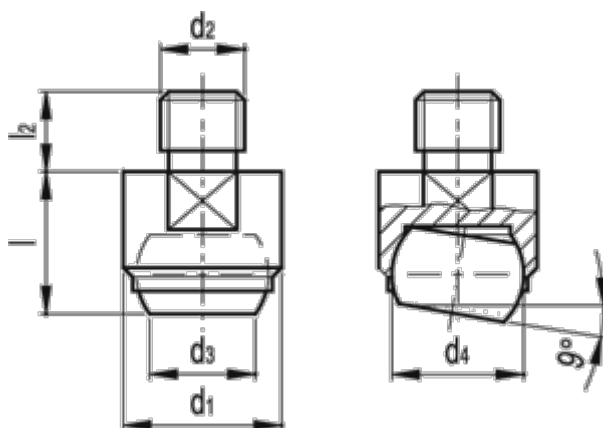


Article number: 20251468C

Description: E+G Clamping pad  
GN 709.1-50-M20-B

## Measures

---



d1	= 50
d2	= M20
d3	= 34.5
d4	= 40
l +/-0.02	= 35
l2	= 20
Max static load (KN)	= 165
s	= 41

Weight (g) = 520